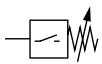


**Technical details**

<b>Temperature range</b>	-10°C ... +80°C
<b>Medium</b>	Filtered, oil-free and dried compressed air according to ISO 8573-1:2010, Class 7:2:4, instrument air, free of aggressive additives. Alternatively the pressure dew point must be at least 10°C below lowest occurring ambient temperature.
<b>Materials</b>	Body: Zinc coated steel, seals: NBR (PE-14), FKM (PE-18)



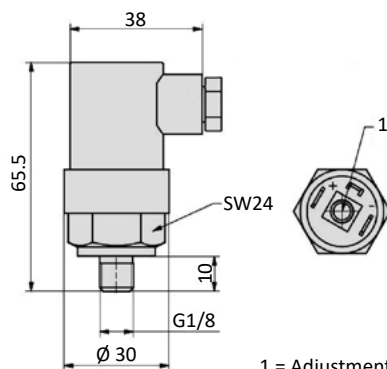
Adjustable diaphragm pressure switch. Optional, the switches are available with a pre-adjusted switching point at 4 bar. The protective cup (PE-18-01) and plug connector (PE-14-01) are included.

**Pressure switch**


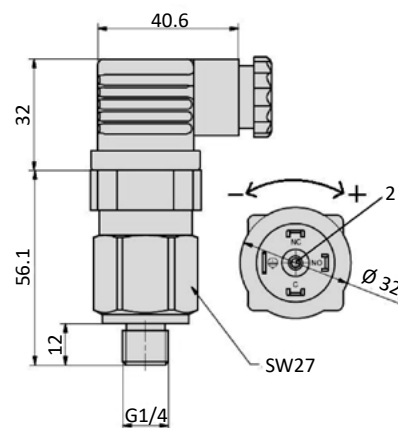
PE  
pressure switch

**Technical data**

Model-no.:	PE-18-01		PE-14-01	
	<b>Connection</b>	G1/8		G1/4
<b>Pressure range (bar)</b>	1 ... 10		1 ... 12	
<b>Overpressure safety (bar)</b>	300		300	
<b>Repeatability (bar at 20°C)</b>	± 0.5		± 0.3	
<b>Contact function</b>	NO		Change-over contact	
<b>Max. operating voltage</b>	30 V DC	250 V AC	30 V DC	250 V AC
<b>Max. current</b>	1 A	0.5 A	3 A	1 A
<b>Protection</b>	IP 65 according to EN 60529		IP 65 according to EN 60529	
<b>Weight (kg)</b>	0.070		0.140	

**Dimensions**
**PE-18-01**


1 = Adjustment of pressure range  
(with screwdriver)

**PE-14-01**


2 = Adjustment of pressure range  
(with hex key 1,5 mm)